

Activity Generator

TG0887

An interactive spinning activity generator has been created to provide a fun, simple, easy to follow set of activities for children and adults to follow basic and safe physical exercises.

The panels are manufactured from 3mm PET G, making them tough, durable and completely weather proof. It can be purchased individually or as a part of a set of which can be situated around the school or park to form a fitness trail.

Specification

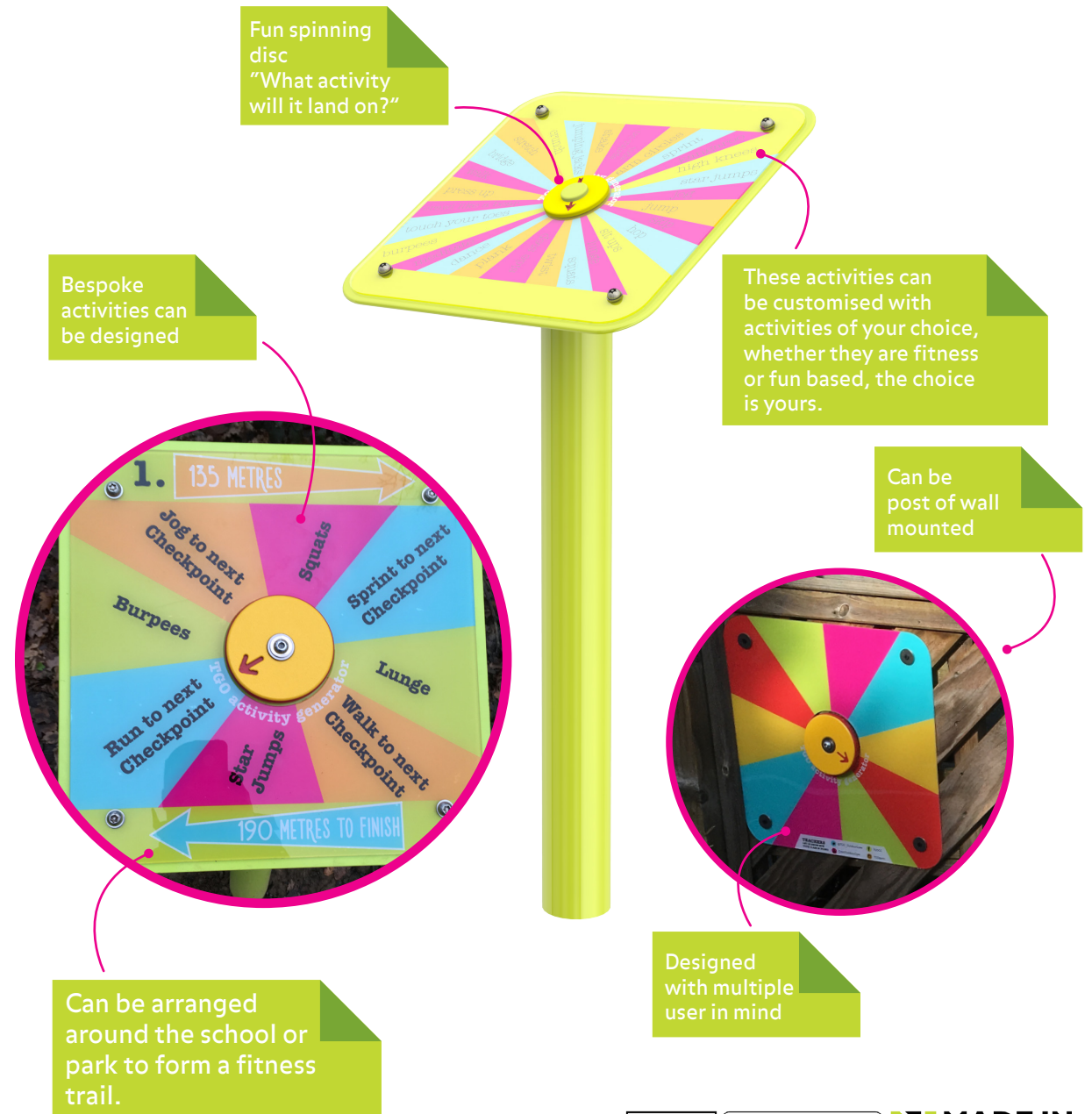
- 100% Made in Britain
- Certified to EN16630, (legacy standards, BSI PAS888 - safety compliant for ALL ages, users and non-users & DIN79000 - safety compliant for users, aged 14+). All TGO outdoor gym equipment is free from exposed end stops, entrapments, sharp edges and crush points

ALWAYS ASK FOR EN16630 FOR OUTDOOR GYMS

- Weatherproof
- Low maintenance
- Designs include key elements of Inclusive Fitness Initiative guidelines
- TGO plant a tree in the NHS Forest for every piece of equipment sold
- Anti vandal fixings
- Available in all major RAL colours
- Paint UV stabilised
- Welds certified to EN15015614
- Powder coated finish

Guarantees

25 years steel work
2 years bearings
5 years paint





Activity Generator

TGO887

Production Details

Manufacturer Standard: EN16630 (legacy standards - PAS888, Din79000)
 Post and Plate: Mild Steel Grade S275 or Stainless Steel Grade 316 (min 3mm thick)
 Finish: E coat primer then High quality gloss finish polyester powder coat paint
 Signage Plate: High quality reverse printed PETG

Enhanced Corrosion Protection

An enhanced corrosion protection is available on request for this product. Hot dip galvanising is the process TGO use to add a protective coating to the body of our products on our equipment in coastal areas, which have higher air salinity or in harsh urban and industrial atmospheres with higher sulphur dioxide pollution*.

The upgrade includes:

- Upgrading to hot dip galvanising
- Fixings are upgraded from A2 to A4 stainless steel

*An upgrade to galvanised steel will be necessary for the warranty in these environments.

Installation

The dimensions given are the minimum requirement for regular ground conditions & may need to be amended for made up or soft ground.

Due to the low physical nature of the TGO887 Sign Post, TGO have identified that this product can all be installed using only a 300mm x 300mm x 350mm concrete pad, located centrally about the TGO887 Sign Post. The Concrete pad starts at the ground surface.

NOTE:

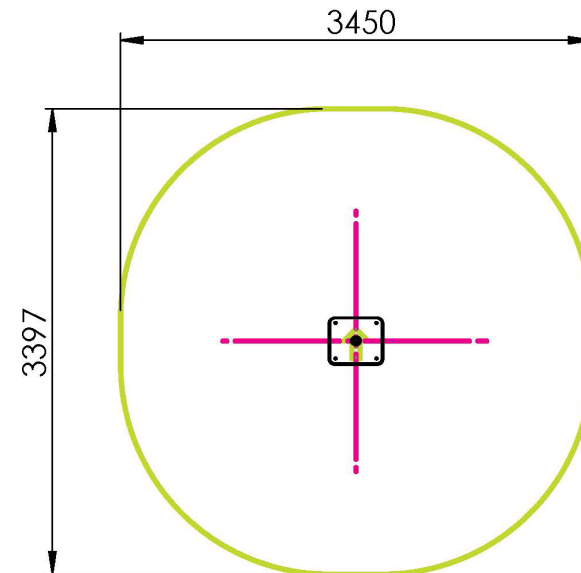
There is no surface mounting option for TGO889 Sign Post.

* A paving slab can be used to provide a firm and stable base for positioning the TGO889 Sign Post

Safety

This product requires 1.5m of clear space around the equipment (green outline). There is no safer surface requirement and therefore TGO only recommend a minimal surface area (grey outline).

Clear Space Required (25mm tolerance added in each direction) Recommended Surfacing Base Plate & Centre Lines



*An upgrade to galvanised steel will be necessary for the warranty in these environments.