

Recumbent bike

TGO891

Designed to give the user a cardiovascular workout and improve leg strength and muscle tone. The Recumbent Bike is ideal as a rehabilitation tool, keeping the back in a fixed position whilst working the lower body. The Recumbent Bike comes with our bespoke made all aluminium pedals. These look and work brilliantly, but most importantly, they will never rust. This piece is also available in the TGO mini range if you want to charge your phone whilst exercising, the TGO Recumbent Bike is also available in Cardio Charge (see TGO892). Generate electricity whilst exercising and charge your mobile phone or tablet at the same time. People Power!

Specification

1. 100% Made in Britain
2. Certified to EN16630, (legacy standards, BSI PAS888 - safety compliant for ALL ages, users and non-users & DIN79000 - safety compliant for users, aged 14+). All TGO outdoor gym equipment is free from exposed end stops, entrapments, sharp edges and crush points

ALWAYS ASK FOR EN16630 FOR OUTDOOR GYMS

3. Great instructional signage- workout QR code videos, start and finish diagrams.
4. Weatherproof
5. Resistance-based equipment - no electricity required
6. Low maintenance
7. Designs include key elements of Inclusive Fitness Initiative guidelines
8. TGO plant a tree in the NHS Forest for every piece of equipment sold
9. Anti vandal fixings
10. Available in all major RAL colours
11. Stop mechanisms concealed
12. Paint UV stabilised
13. Welds certified to EN15015614
14. Powder coated finish
15. Separate ground anchor for future upgrades

Guarantees

25 years steel work
2 years bearings
5 years paint

TGO891UK
Integrated instructional signage and QR codes to view how to use videos. Mounted onto the central frame

There is a constant gap between any moving parts and the main framework so there are no entrapment points

Suggested user age group 11+

This product comes with a coastal specification as standard

Aluminium patterned pedals provide a good grip to avoid slipping

New stainless steel handles and 80mm end caps comply to IFI and TÜV standards



EN 16630



25 YEAR WARRANTY

MADE IN BRITAIN



Recumbent bike

TG0891

Production Details

Manufacturer Standard: EN16630 (legacy standards - PAS888, Din79000)
 Framework: Mild steel grade S275 (min 3mm thick)
 Bearing Surfaces: Grade 316 stainless steel
 Finish: High quality gloss finish polyester powder coat paint
 Signage Plate: High quality reverse printed PETG
 Seats and Backs: Enhanced polyphenylene ether (PPE) resin

Enhanced Corrosion Protection

An enhanced corrosion protection is available on request for this product. Hot dip galvanising is the process TGO use to add a protective coating to the body of our products on our equipment in coastal areas, which have higher air salinity or in harsh urban and industrial atmospheres with higher sulphur dioxide pollution*.

The upgrade includes:

- Upgrading to hot dip galvanising
- Fixings are upgraded from A2 to A4 stainless steel

*An upgrade to galvanised steel will be necessary for the warranty in these environments.

Installation

*An upgrade to galvanised steel will be necessary for the warranty in these environments. This product is installed onto a generic TGO Large Ground Anchor. Please see the 'TGO Installation & Assembly Guidelines' for guidance on installing this anchor. Please refer to the diagram opposite for safety spacing.

Safety

This product requires 1.5m of clear space around the equipment (green outline).

- Falling height: 0.53m
- Clear Space: 16.2m²

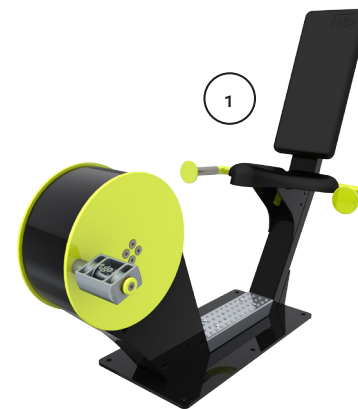
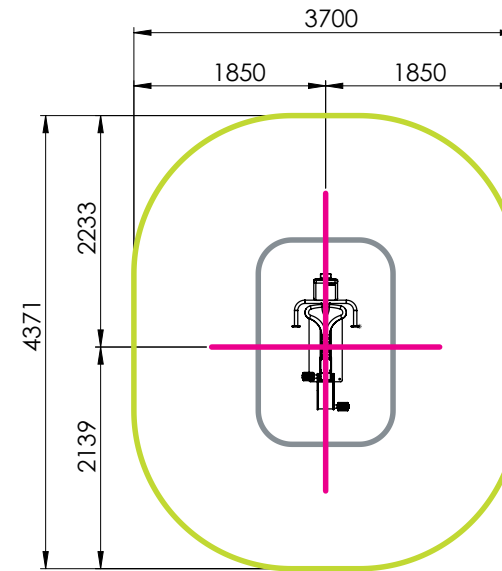
There is no safer surface requirement and therefore TGO only recommend a minimal surface area (grey outline).

Parts List

No	Part	Dimensions	Weight	Qty
1	Recumbent Bike	L1320, W650, H1010	90 kg	1
2	Large Anchor [†]	L777, W489, H344	23 kg	1

[†]Substituted with 6x HILTI fixings for surface mounted option

Clear Space Required Recommended Surfacing Base Plate & Centre Lines
 (25mm tolerance added in each direction)



Ground anchor is separate, makes future upgrades easy!

